

## NUMBER

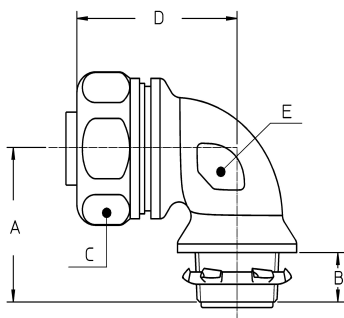
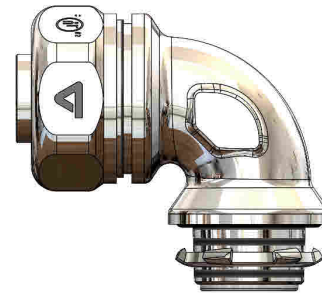
# TDS-3600

## PRODUCT RANGE

ANACONDA COMPACT FITTINGS

## PRODUCT DESCRIPTION

SEALTITE CNP 90° ELBOW FITTING, NPT MALE



THREAD TYPE	CNP SIZE (INCH)	MIN. INTERNAL BORE (MM)	DIMENSIONS IN MM						STANDARD PACKAGE	ARTICLE NUMBER	WEIGHT (KG/100)
			A	B	C	D	E	F			
NPT 1/2"	3/8"	10,3	40	14	30	46	24	-	10	764.912.2-IT	16,0
NPT 1/2"	1/2"	13,8	40	14	34	46	24	-	10	764.916.2-IT	18,5
NPT 3/4"	3/4"	18,8	44	14	40	51	30	-	5	764.920.2-IT	25,0
NPT 1"	1"	23,8	50	16	47	56	37	-	5	764.926.2-IT	36,0
NPT 1-1/4"	1-1/4"	32,2	57	16	57	64	47	-	2	764.935.2-IT	57,5
NPT 1-1/2"	1-1/2"	37,3	65	18	67	75	55	-	2	764.940.2-IT	88,0
NPT 2"	2"	47,0	74	20	84	84	60	-	2	764.950.2-IT	137,0

## APPLICATION AREA

This nickel plated brass fitting is exclusively designed for use with the heavy wall non-metallic Sealtite conduit type CNP. As with the conduit, the fitting is UL/CSA (cULus) approved and meets the required criteria for countries outside Europe that recognise and uphold these approvals. When used in combination with type CNP conduit an IP 67 leak-tight cable protection system with a strong pull out strength is achieved.

## MATERIAL & CONSTRUCTION:

**Construction:** Consists of 7 parts; back nut, clamping ring, ferrule, body, O-ring, insulation bushing and "tiger-grip" lock nut.

**Material:** Back nut, ferrule and body are nickel plated brass, clamping ring is TPE, insulation bushing is polyamide PA6, and "tiger-grip" lock nut is galvanized steel.

**Special approvals:** UL-514B and CSA C 22.2 combined UL/CSA (cULus) file # E 234207. Suitable for use in hazardous environments according to NEC:

- Article 501.10 (B) (2) Class I, Division 2.

- Article 502.10 (A) (2) and (B) (2),  
Class II, Division 1 and 2.

- Article 503.10 (A) (3) and (B),  
Class III, Division 1 and 2.

**Temperature:** -45 °C till +105 °C continuous.

**Protection class:** IP 67 (dust-proof, water-tight).

**Colour:** Metallic coloured.

## Issued by:

Peter Rövekamp  
Product Manager

## Approved by:

Rob Guichelaar  
Technical Manager

## Date:

7 December 2023

## Page:

1 of 1

