

NUMBER

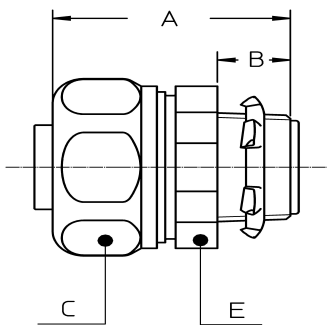
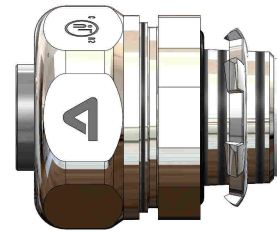
TDS-3599

PRODUCT RANGE

ANACONDA COMPACT FITTINGS

PRODUCT DESCRIPTION

SEALTITE CNP STRAIGHT FITTING, NPT MALE



THREAD TYPE	CNP SIZE (INCH)	MIN. INTERNAL BORE (MM)	DIMENSIONS IN MM						STANDARD PACKAGE	ARTICLE NUMBER	WEIGHT (KG/100)
			A	B	C	D	E	F			
NPT 1/2"	3/8"	10,3	44	14	30	-	28	-	10	764.012.2-IT	10,0
NPT 1/2"	1/2"	13,8	44	14	34	-	32	-	10	764.016.2-IT	12,0
NPT 3/4"	3/4"	18,8	46	14	40	-	38	-	5	764.020.2-IT	15,5
NPT 1"	1"	23,8	49	16	47	-	45	-	5	764.026.2-IT	20,5
NPT 1-1/4"	1-1/4"	32,2	51	16	57	-	55	-	2	764.035.2-IT	31,0
NPT 1-1/2"	1-1/2"	37,3	58	18	67	-	63	-	2	764.040.2-IT	48,0
NPT 2"	2"	47,0	62	20	84	-	80	-	2	764.050.2-IT	82,0

APPLICATION AREA

This nickel plated brass fitting is exclusively designed for use with the heavy wall non-metallic Sealtite conduit type CNP. As with the conduit, the fitting is UL/CSA (cULus) approved and meets the required criteria for countries outside Europe that recognise and uphold these approvals. When used in combination with type CNP conduit an IP 67 leak-tight cable protection system with a strong pull out strength is achieved.

MATERIAL & CONSTRUCTION:

Construction: Consists of 7 parts; back nut, clamping ring, ferrule, body, O-ring, insulation bushing and "tiger-grip" lock nut.

Material: Back nut, ferrule and body are nickel plated brass, clamping ring is TPE, insulation bushing is polyamide PA6, and "tiger-grip" lock nut is galvanized steel.

Special approvals: UL-514B and CSA C 22.2 combined UL/CSA (cULus) file # E 234207. Suitable for use in hazardous environments according to NEC:

- Article 501.10 (B) (2) Class I, Division 2.

- Article 502.10 (A) (2) and (B) (2),
Class II, Division 1 and 2.

- Article 503.10 (A) (3) and (B),
Class III, Division 1 and 2.

Temperature: -45 °C till +105 °C continuous.

Protection class: IP 67 (dust-proof, water-tight).

Colour: Metallic coloured.

Issued by:

Peter Rövekamp
Product Manager

Approved by:

Rob Guichelaar
Technical Manager

Date:

7 December 2023

Page:

1 of 1

